



Technical Documentation

WASHING MACHINE

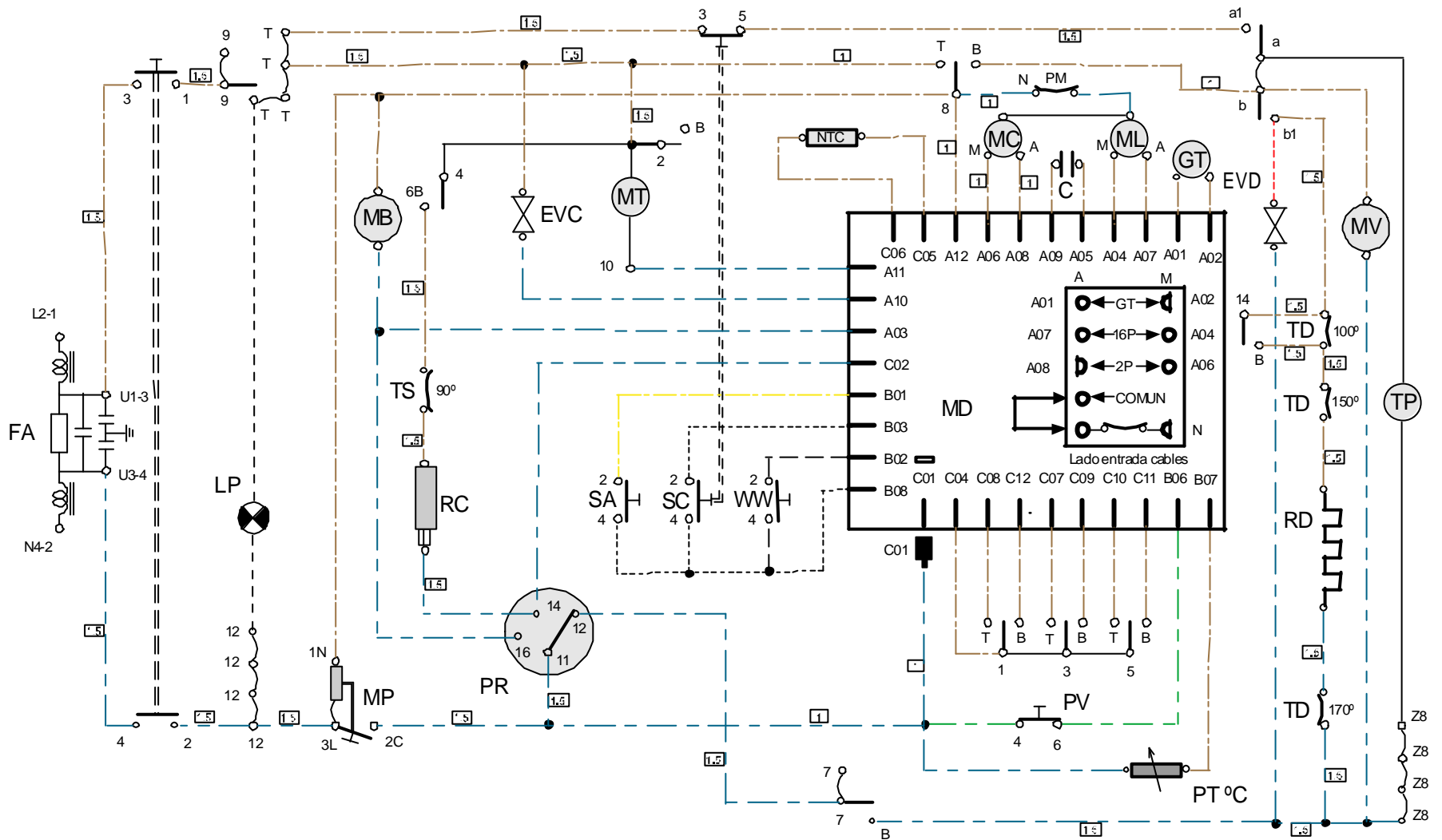
SW5L 40D

N° : 996050000
MODEL : EdgeStar SW5L 40D

| | | | |
|--------------------------------|---------------------------------|-------------------------------------|--------------------------|
| Velocidad de centrifugado | Máx. Spin speed | Máx. tours | 1200 R.p.m. |
| Tipo de motor | Motor type | Type du Moteur | 2 16 DT |
| Módulo electrónico | Electronic module | Module électronique | DMPA |
| Programador | Programmer | Programmateur | - |
| Voltage / Frecuencia | Voltage and Hertz | Voltege et Hertz | 115 V. - 60 Hz. |
| Potencia maxima | Maximum absorbed power | Puissance maximum absorbé | 1600 W. |
| Potencia resist. Calent. | Heating element power | Résistance de chauffage | 1350 W. |
| Fusible | Protective fuse | Thermo fusible | 16 A. |
| Capacidad del tambor | Drum capacity | Capacité du tambour | 47 L. |
| Capacidad de lavado | Wash capacity | Capacité de charge | 5,5 Kg. |
| Capacidad de secado | Drying capacity | Capacité d' éssorage | 2,5 Kg. |
| N° de compartimientos jabonera | N° detergent compartments | Nombre de bac à lessive | 4 Ud. |
| N° de programas | Numbers of programmes | Nombre de programmes | 17+2 Ud. |
| Selector de temperatura | Temperature selector | Thermostat | X |
| Selector de centrifugado | Spin speed selector | Vitesse variable | - |
| Temporizador | Drying time selector | Temp de séchage | X |
| Paro / marcha | On / Off. | Marche / arrêt | X |
| Lavado en frio | Cold wash | Lavage à froid | - |
| Sin centrifugado | No spin | Suppresion d' essorage | X |
| 1/2 carga | Half load | Demi charge | - |
| Eco 60° | Eco 60° | Eco 60° | - |
| Super aclarado | Extra rinse | Rançage supplémentaire | X |
| Antiarrugas | Rinse hold | Arrêt cuve pleine | X |
| 550 / 850 R.p.m. | 550 / 850 spin | 550 / 850 tours | - |
| 550 / 1000 R.p.m. | 550 / 1000 spin | 550 / 1000 tours | X |
| Lavado 60° + secado (5kg.) | Wash 60° + Dry (5kg.) | Lavage 60° + sechage (5kg.) | 120min.90+90 |
| Consumo energía | Energy consumption | Consommation d' énergie | 1,25Kwh.1,73+1,73 |
| Consumo de agua | Water consumption | Consommation d'eau | 50 L. 38+38 |
| Eficiencia de centrifugado | Spin efficiency | Efficaté d'essorage | 53 % H.R. |
| Clase eficiencia energética | Energy efficiency class | Classe énergétique | - |
| Clase eficiencia lavado | Wash efficiency index | Classe de lavage | - |
| Clase eficiencia centrifugado | Spin efficiency class | Classe d'essorage | - |
| Peso lavadora embalada | Gross weight packed | Poids brut emballé | 84 Kg. |
| Peso lavadora sin embalage | Net weight unpacked | Poids net sans emballage | 82,5 Kg. |
| Alto, ancho, fondo embalada | Height, Width, Depth packed | Heuteur - Largeur - Profondeur emb. | 90 X 65 X 58 cm. |
| Alto, ancho, fondo sin embalar | Height - Width - Depth unpacked | Heuteur - Largeur - Profondeur sans | 85 X 60 X 55 cm. |

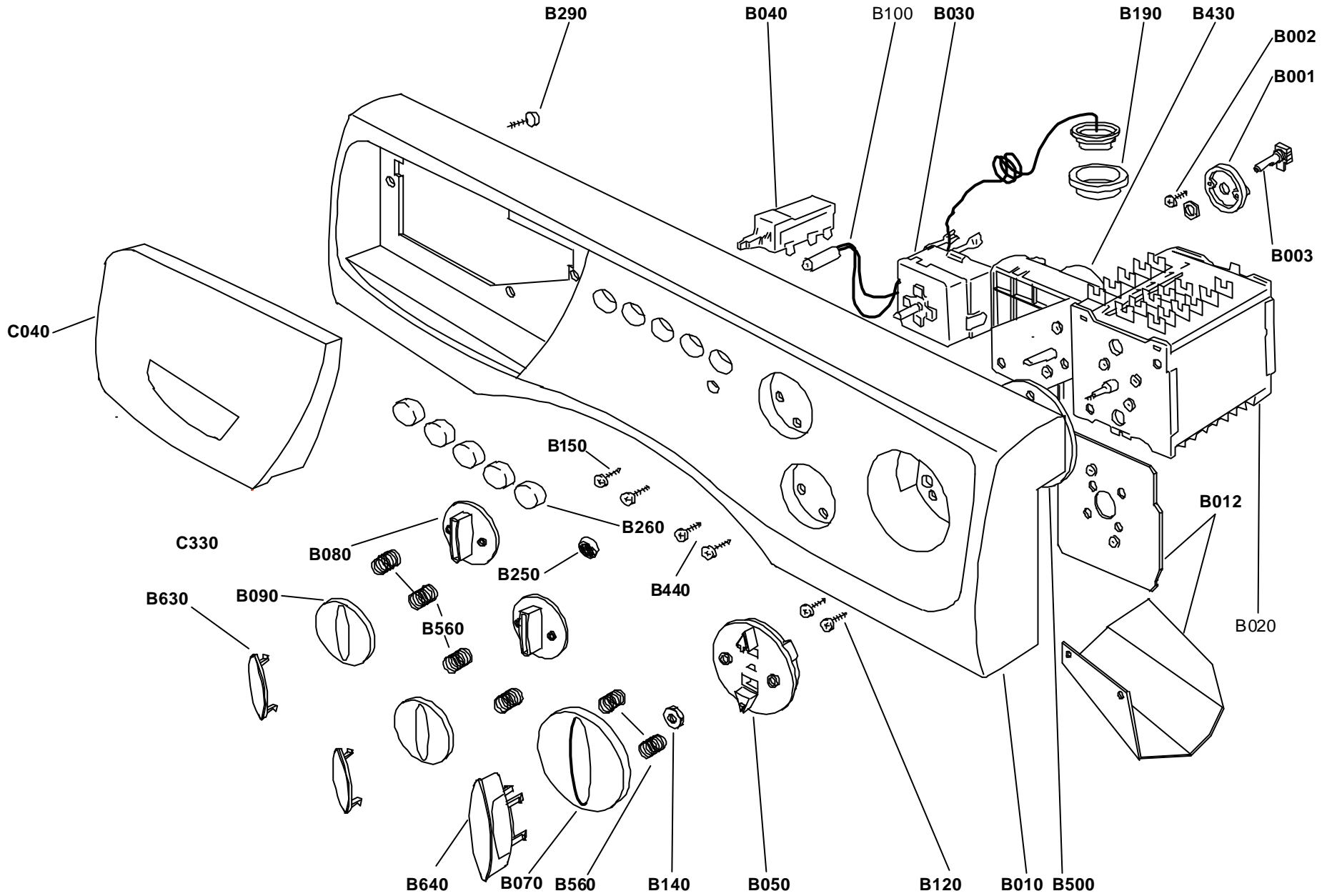
| CAN | FUNCTION | CONT | IMPUL | 5 | 10 | 15 | 20 | 25 | 30 | 35 | 40 | 45 | 50 | 55 | 60 | A | V |
|-----|------------------------|------|-------|---|----|----|----|----|----|----|----|----|----|----|----|----|-----|
| | | | | | | | | | | | | | | | | | |
| | | | | | | | | | | | | | | | | | |
| 11 | DRY | 7 | 2B | | | | | | | | | | | | | 16 | 250 |
| 10 | HALF DRY | 13 | 13B | | | | | | | | | | | | | 16 | 250 |
| 9 | DIRECT MODULE EMPTY | 8 | 8B | | | | | | | | | | | | | 4 | 250 |
| 8 | CODE 2 CODE 1 | 5 | 5B | | | | | | | | | | | | | 4 | 250 |
| 7 | HEATING | 4 | 4B | | | | | | | | | | | | | 16 | 250 |
| 6 | VALVE HOT | 2 | 2B | | | | | | | | | | | | | 4 | 250 |
| 5 | CODE 4 CODE 3 | 3 | 3B | | | | | | | | | | | | | 4 | 250 |
| 4 | | | | | | | | | | | | | | | | | |
| 3 | | | | | | | | | | | | | | | | 4 | 250 |
| 2 | CODE 5 CODE 6 | 1 | 1B | | | | | | | | | | | | | 4 | 250 |
| 1 | PUSH PULL | 9 | 9B | | | | | | | | | | | | | 16 | 250 |
| | | | | | | | | | | | | | | | | | |

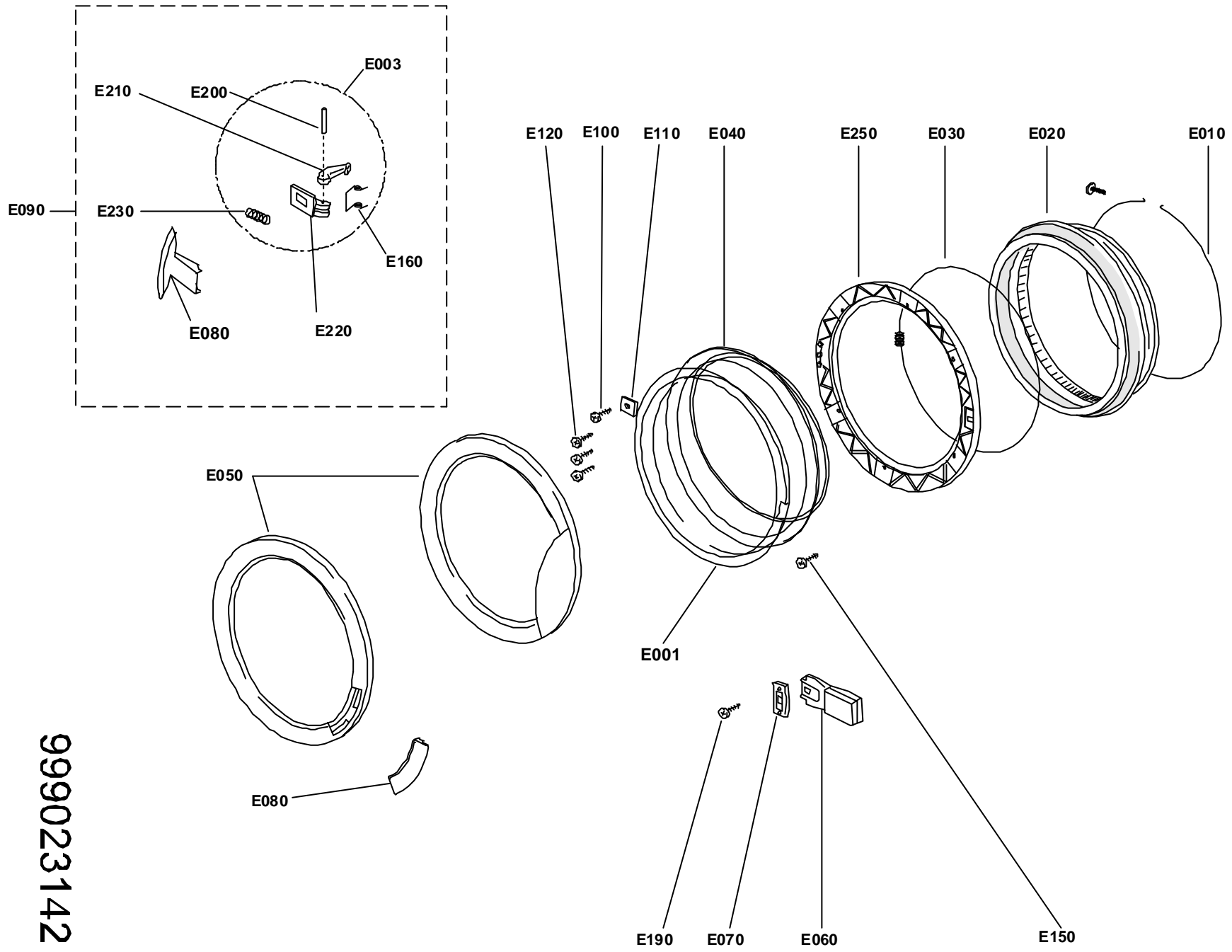
Sw540D
516015701
460612720



| | | | | | | | |
|--------|-------------------------|----------------------|---------------------------|--------|---------------------------------|--------------------------|-----------------------------|
| EVD | Electrovalvula dry | Dry valve | Electrovanne sechage | NTC | Termoresistencia NTC | NTC | Thermoresistance |
| FA | Filtro linea | Interference filter | Filtre antiparasitaire | PR | Presostato | Pressure switch | Presostat |
| ON/OFF | Pulsador paro / marcha | On / off push button | Touche marche / arret | PTM | Protector térmico motor | Thermic protector motor | Protecteur thermique moteur |
| C | Condensador | Capacitor | Condensateur | RC | Resistencia calentamiento | Heating element | Resistance chauffage |
| EVC | Electrovalvula fria | Cold valve | Electrovanne froid | SA | Pulsador super aclarado | Super rinse push- button | Touche super rincage |
| GT | Gene rador ta cometrico | Tachomet.generator | Gene rateur tachometrique | SC | Pulsador exclusion centrifugado | No spin push buton | Touche supression essorage |
| LP | Lámpara piloto | Pilot lamp | Lampe temoin | TS90 | Termostato fijo 90° | Klixon 90° | Thermostat fixe 90° |
| MB | Motobomba | Drain pump | Motopompe | RD | Resistencia dry | Drying heating element | Resistance sechage |
| MC | Motor centrifuga | Spin motor | Moteur essorage | TD 170 | Termostato dry 170° | Drying klixon 170° | Thermostat 170° |
| MD | Modulo | Control unit | Module | TD 150 | Termostato dry 150° | Drying klixon 150° | Thermostat 150° |
| ML | Motor lavado | Wash motor | Moteur lavage | TD 100 | Termostato dry 100° | Drying klixon 100° | Thermostat 100° |
| MP | Micro puerta | Door lock | Micro porte | TP | Temporizador | Drying timer | Sechage |
| MT | Motor timer | Timer motor | Moteur programmeur | TR | Thermo stato regulable | Ajustable thermostat | Thermostat réglable |
| MV | Moto ventilador | Drying fan motor | Motoventilateur | | | | |

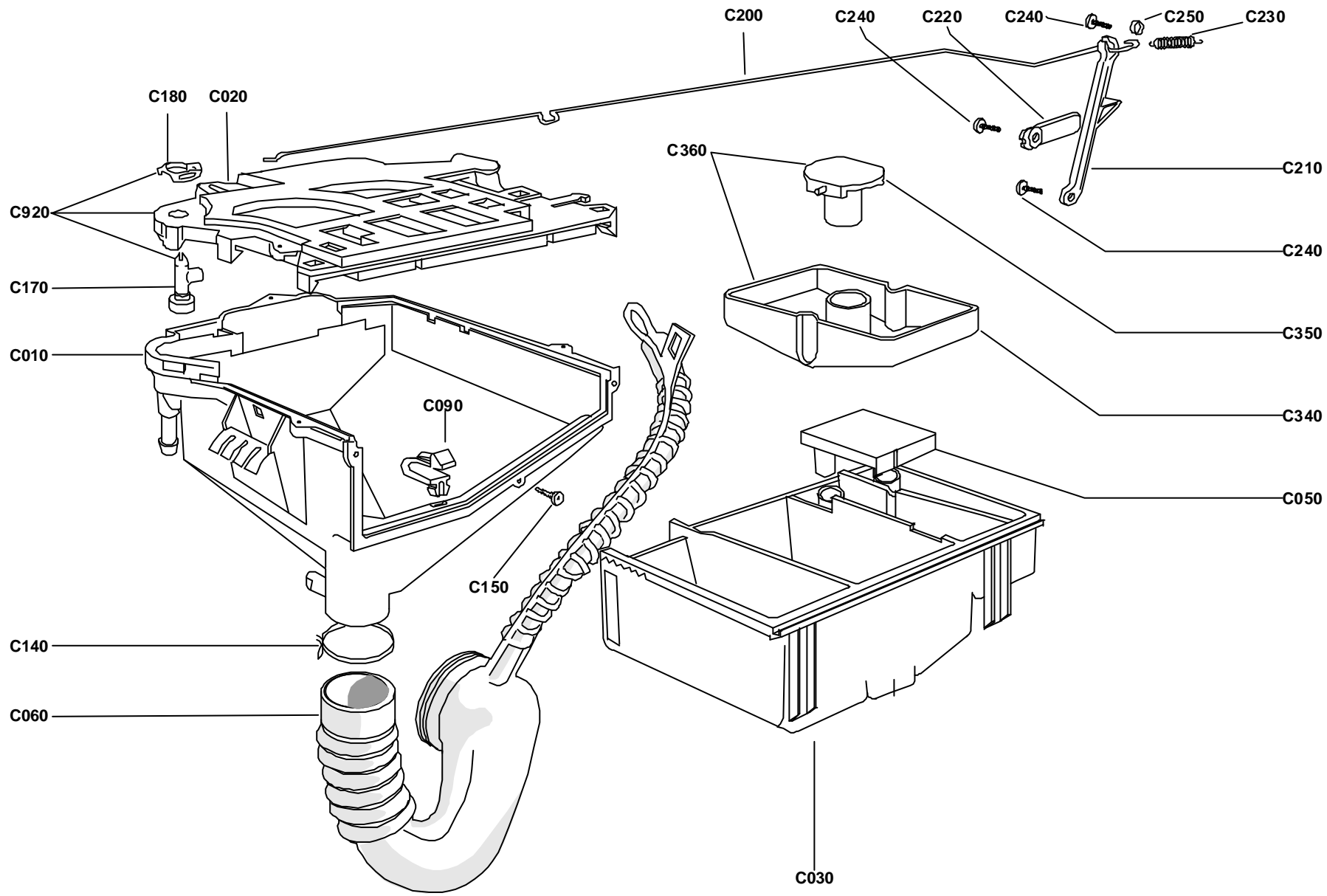
999024108



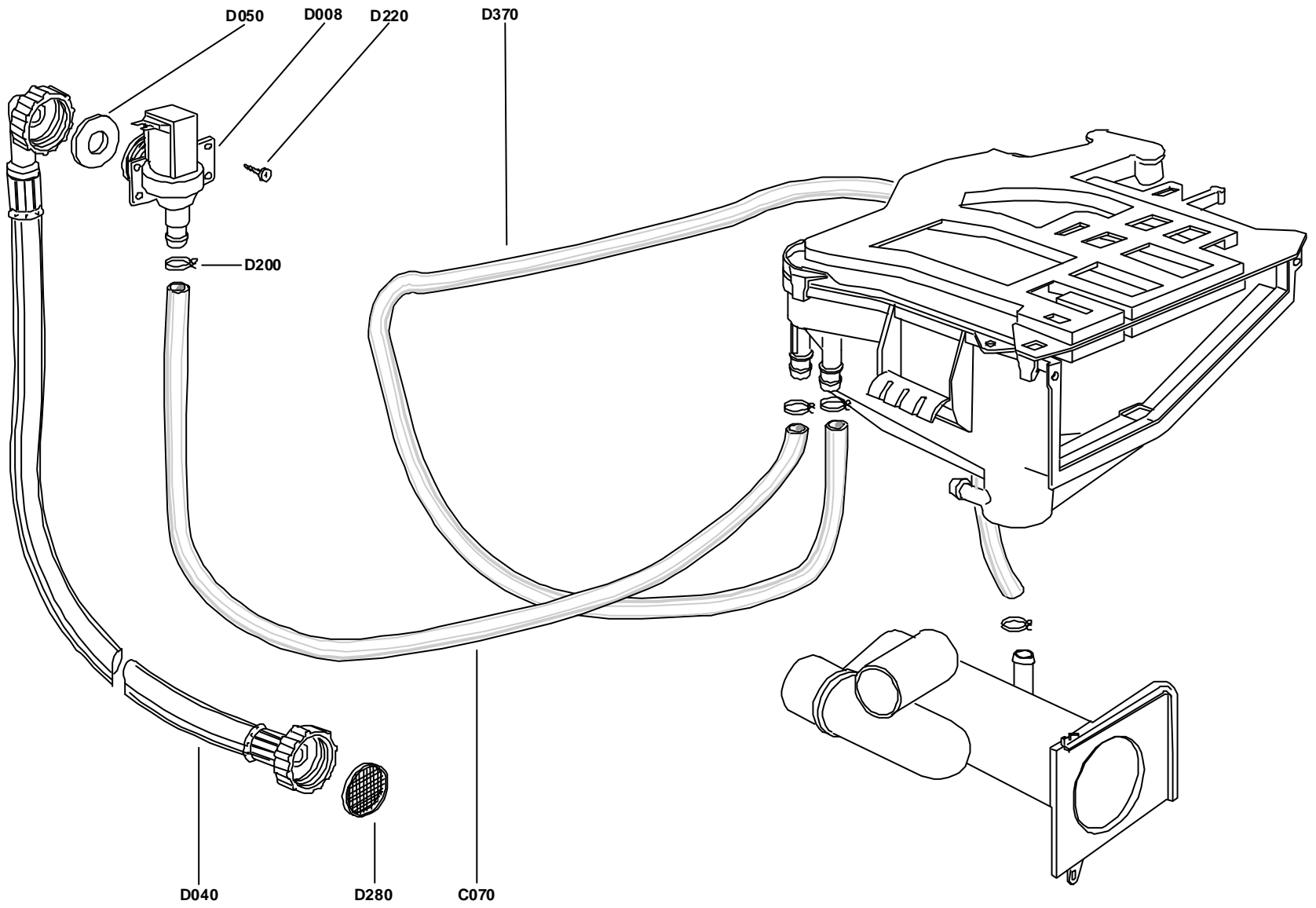


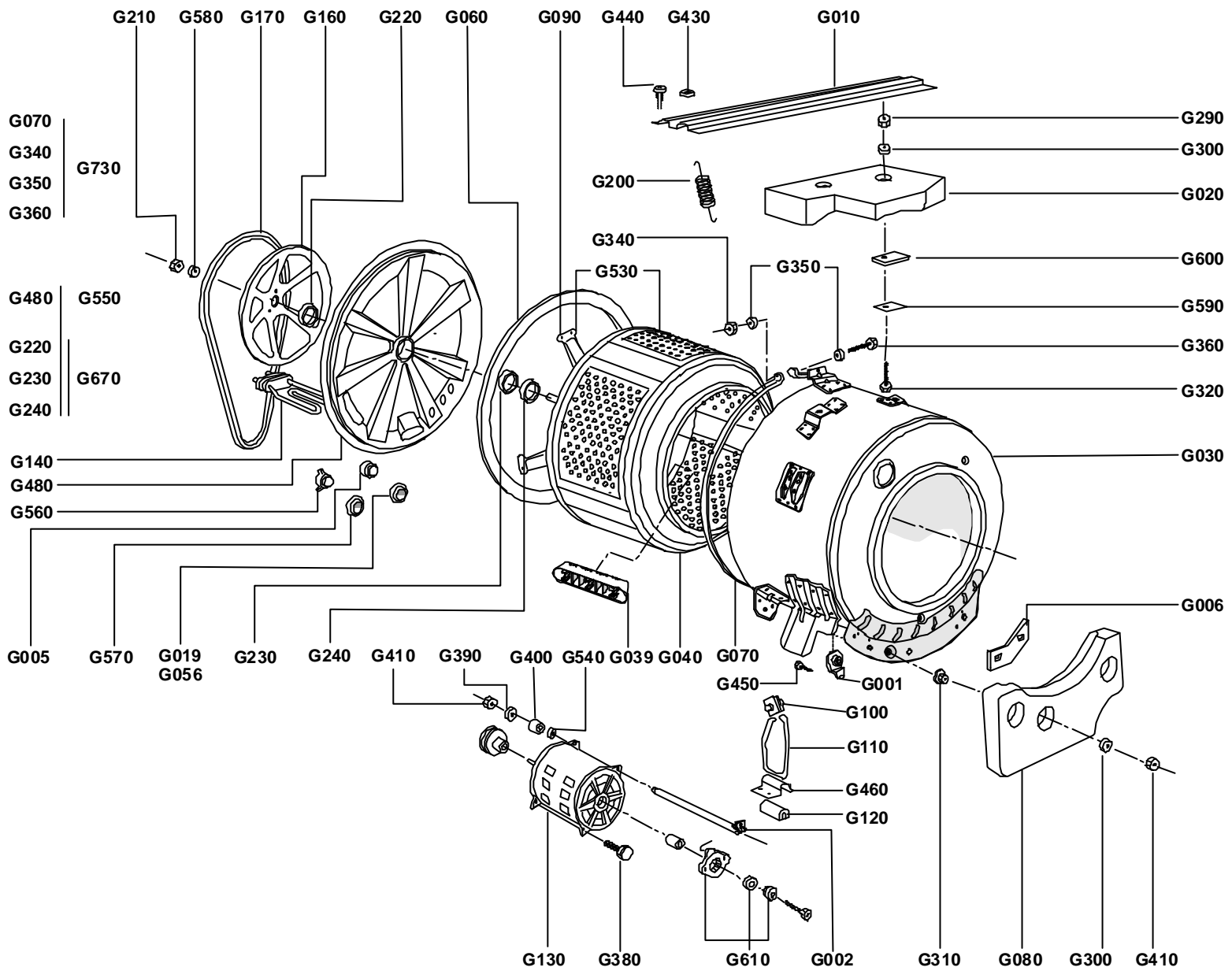
999023142

999023140



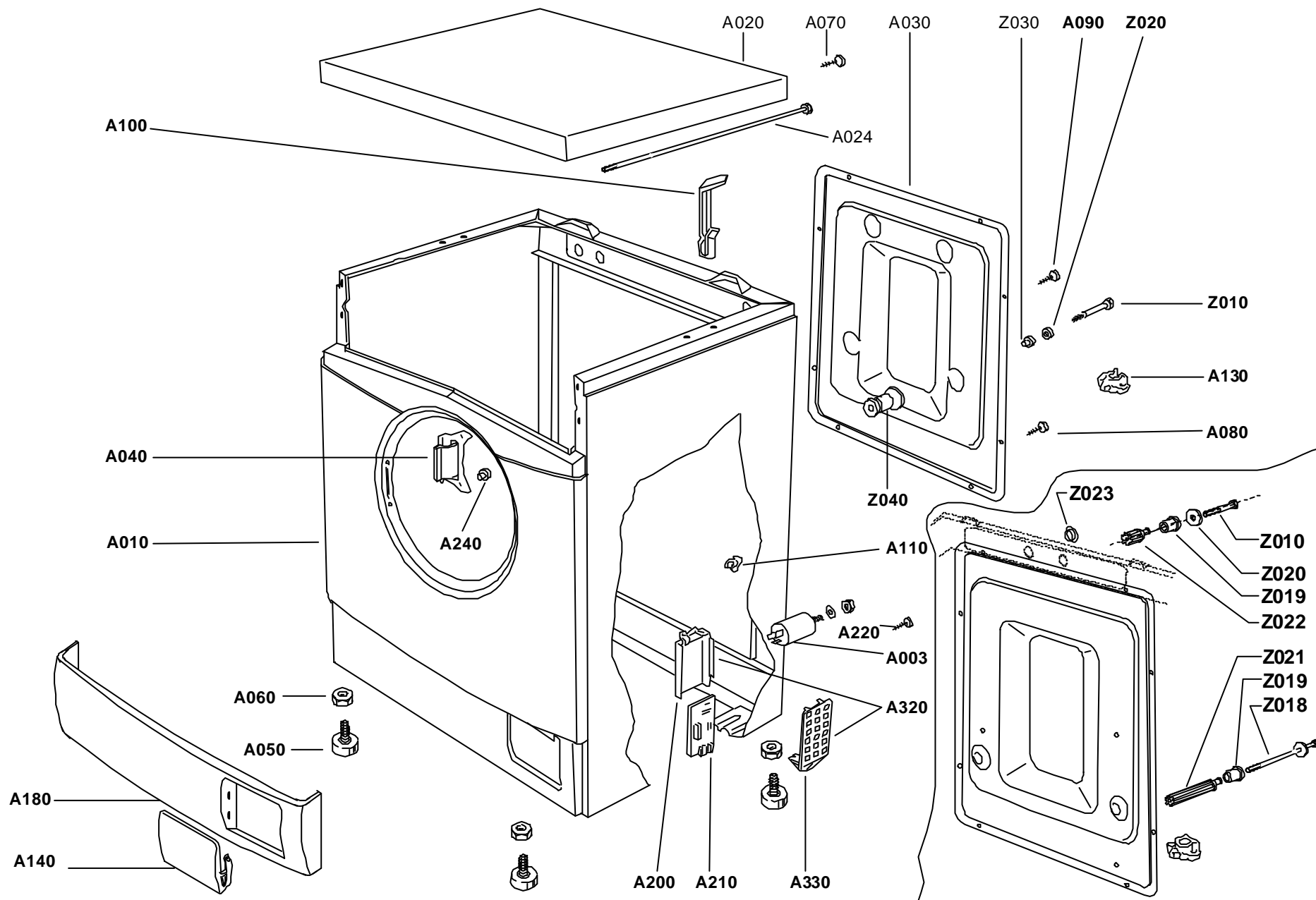
999016195



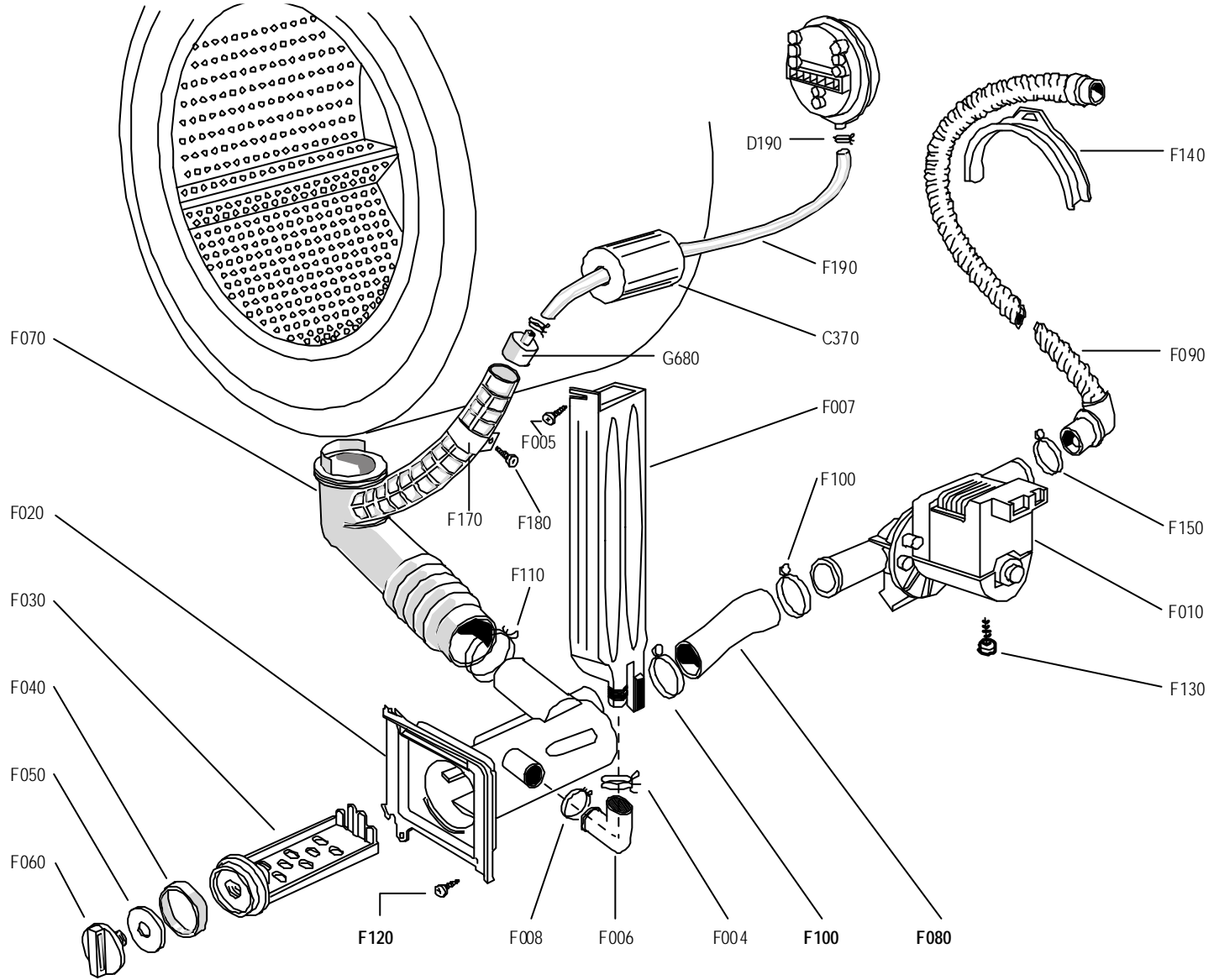


999031011

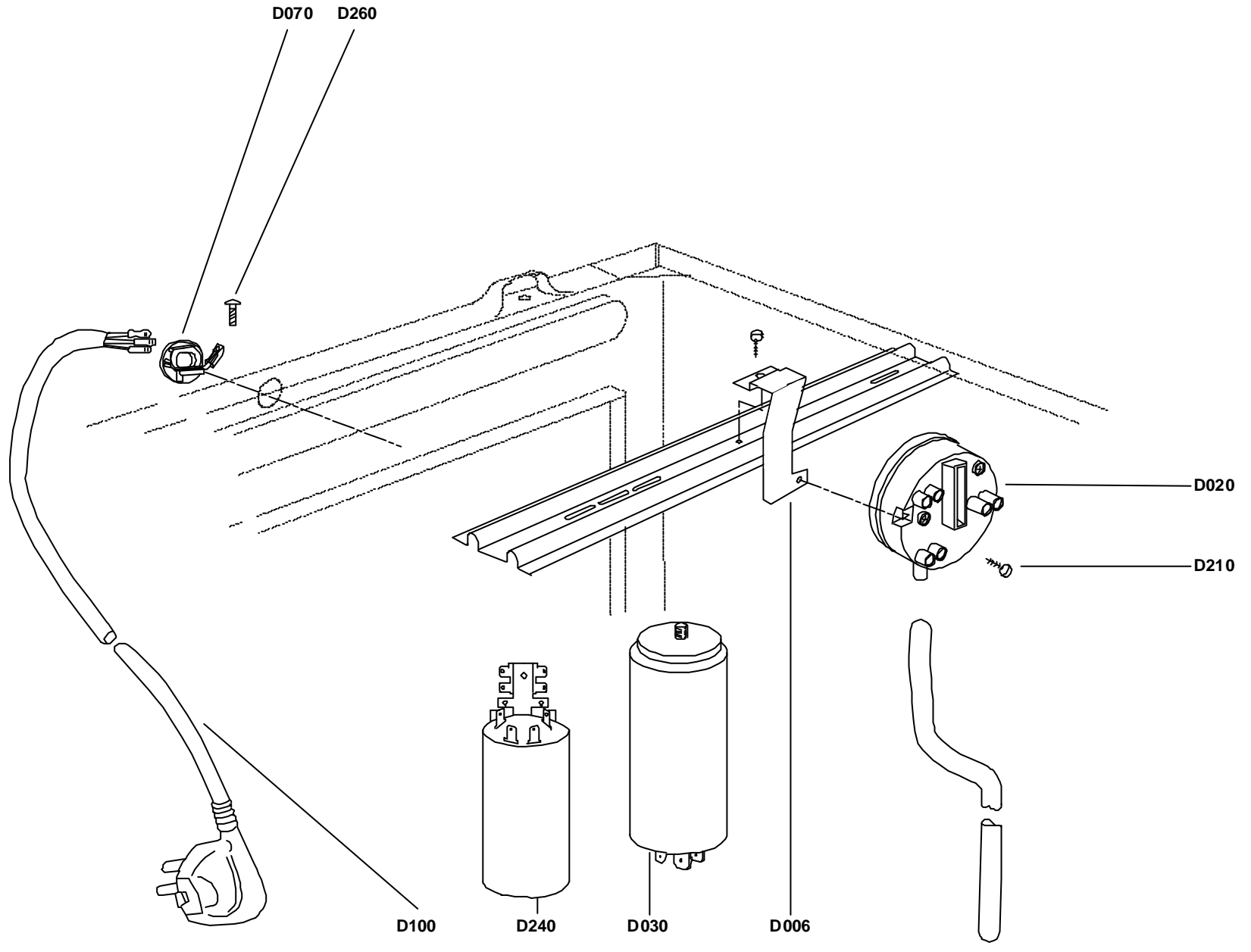
999024109



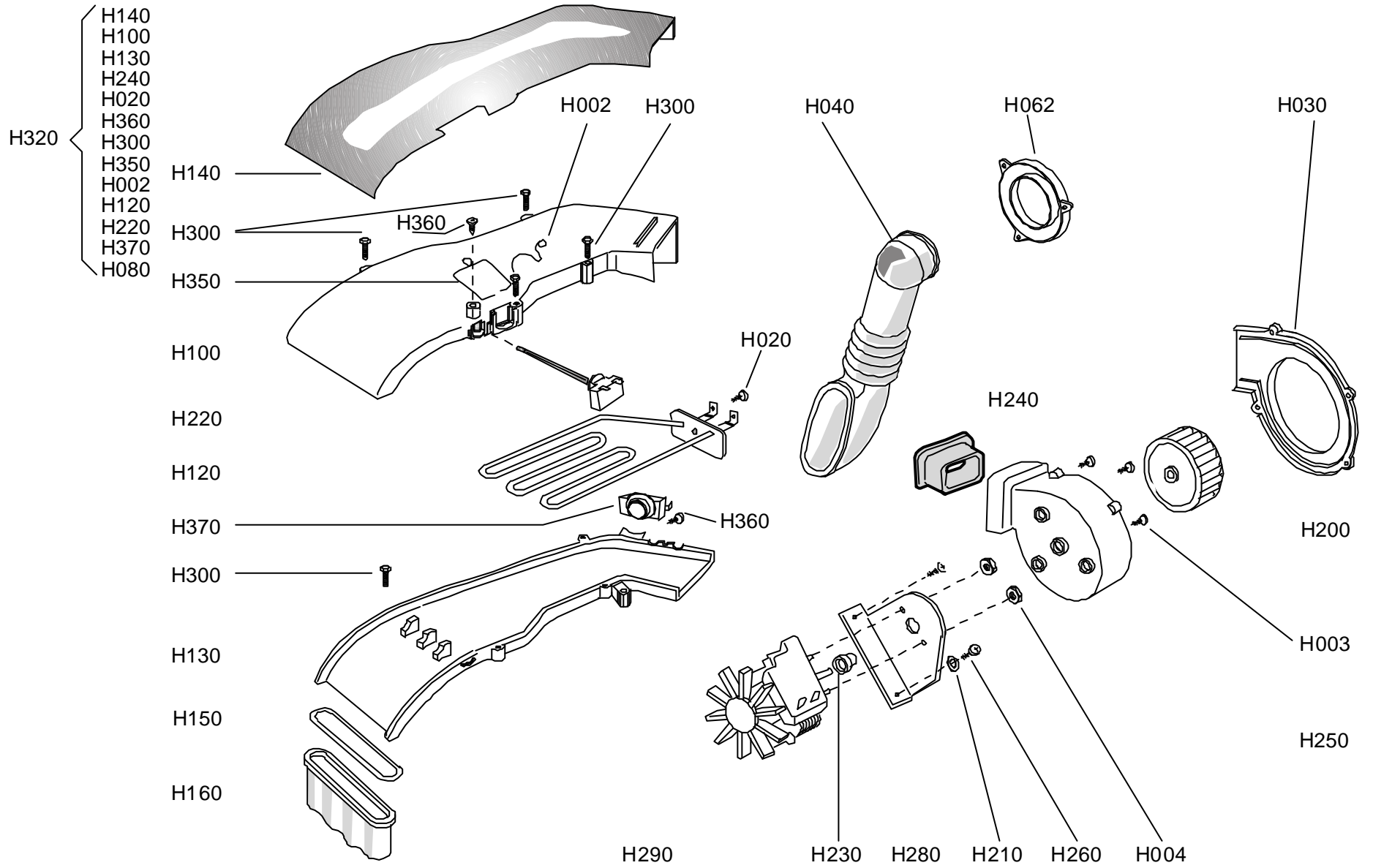
999024148



999024147



999024150



Model: SW5L40D N.Ref.: 996050000 NIF: A08115800
EDGESTAR SW5L40D

| Code Esp. | N.Ref. | Item Description | Quantity Of Pieces | Expiry Date | Unit Price |
|-----------|------------|---|-----------------------|----------------|---------------|
| CFA010 | D710045901 | CABINET | 1 | | 68 |
| CFA015 | D432004600 | NOISE FILTER FIXING SCREW | 2 | | 1 |
| CFA020 | D721079300 | UPPER TOP | 1 | | 31 |
| CFA024 | D432024300 | SCREW FOR UPPER TOP-FRONT | 3 | | 1 |
| CFA030 | D276018900 | REAR TOP | 1 | | 13 |
| CFA040 | D246021700 | HINGE | 1 | | 10 |
| CFA050 | D720149300 | LEVELLING FOOT | 4 | 01.04.2005 | 4 |
| CFA050 | D720330200 | LEVELLING FOOT | 4 | | 3 |
| CFA070 | D432004900 | SCREW FOR UPPER TOP | 2 | | 1 |
| CFA080 | D432004600 | SCREW FOR REAR TOP | 8 | | 1 |
| CFA100 | D398143100 | HOOK FOR WIRING SUPPORT | 1 | | 3 |
| CFA110 | D398026100 | HOOK FOR WIRING SUPPORT | 1 | | 2 |
| CFA110 | D398106100 | HOOK FOR WIRING SUPPORT | 2 | | 1 |
| CFA110 | D398106200 | HOOK FOR WIRING SUPPORT | 3 | | 1 |
| CFA130 | D398105400 | DRAIN SUPPLY HOSE CLAMP | 1 | | 2 |
| CFA130 | D398105500 | DRAIN SUPPLY HOSE CLAMP | 2 | | 2 |
| CFA140 | D398140900 | FILTER COVER | 1 | | 3 |
| CFA180 | D366010400 | BASE | 1 | | 12 |
| CFA200 | D368032300 | CARD HOLDER BOX | 1 | | 10 |
| CFA210 | D546073800 | ELECTRONIC MODULE | 1 | | 50 |
| CFA220 | D432004600 | CARD HOLDER BOX FIXING SCREW | 2 | | 1 |
| CFA240 | D438003300 | DOOR HINGE RIVET | 4 | | 1 |
| CFA320 | D720237100 | MODULE HOLDER BOX UNIT | 1 | | 10 |
| CFB002 | D432009400 | FIXING SCREWS FOR POTENTIOMETER | 2 | 01.04.2005 | 1 |
| CFB002 | D432031800 | FIXING SCREWS FOR POTENTIOMETER | 2 | | 1 |
| CFB003 | D502004800 | POTENTIOMETER | 1 | | 10 |
| CFB010 | D804659536 | FRONT TRIM | 1 | | 20 |
| CFB020 | D516016901 | TIMER | 1 | | 36 |
| CFB040 | D522004500 | PUSH BUTTON SWITCH | 1 | | 10 |
| CFB040 | D522004600 | PUSH BUTTON SWITCH | 1 | | 10 |
| CFB040 | D522005000 | PUSH BUTTON SWITCH | 1 | | 7 |
| CFB040 | D522005100 | PUSH BUTTON SWITCH | 2 | | 10 |
| CFB050 | D326100800 | TIMER KNOB WITH DISPENSER CAM | 1 | | 3 |
| CFB070 | D330078500 | COVER OF TIMER KNOB | 1 | | 2 |
| CFB080 | D326102300 | THERMOSTAT KNOB | 2 | | 3 |
| CFB090 | D330078600 | COVER OF THERMOSTAT KNOB | 2 | | 2 |
| CFB100 | D540003100 | PILOT LAMP | 1 | 05.05.2005 | 7 |
| CFB100 | D540006600 | PILOT LAMP | 1 | | 2 |
| CFB120 | D430011500 | TIMER SCREW | 2 | | 1 |
| CFB140 | D434000700 | TIMER NUT | 1 | | 1 |
| CFB190 | D402008800 | ADJUSTABLE THERMOSTAT GASKET | 2 | | 2 |
| CFB250 | D346018000 | LED | 1 | | 2 |
| CFB260 | D332039600 | PUSHBUTTON | 5 | | 2 |
| CFB290 | D432004600 | FRONT TRIM FIXING SCREWS | 4 | | 1 |
| CFB430 | D536003600 | TIMER | 1 | | 26 |
| CFB440 | D430008000 | TIMER FIXING SCREW | 2 | | 1 |
| CFB500 | D428001600 | TIMER FRONT TRIM PACKING | 1 | | 3 |
| CFB560 | D444003200 | PROGRAMMER-THERMOSTAT-TIMER KNOB SPRING | 6 | | 2 |
| CFB630 | D810235700 | TIMER/THERMOSTAT KNOB CENTRE BODY | 2 | | 3 |
| CFB640 | D810235600 | TIMER KNOB CENTRE BODY | 1 | | 3 |
| CFC010 | D348001900 | DETERGENT BOX COMPARTMENT | 1 | | 10 |
| CFC010 | D728003000 | DETERGENT BOX COMPARTMENT | 1 | | 10 |
| CFC020 | D330062600 | DETERGENT COMPARTMENT COVER | 1 | | 12 |
| CFC030 | D398104600 | DETERGENT DRAWER | 1 | | 10 |
| CFC040 | D806299900 | DETERGENT DRAWER HANDLE | 1 | | 12 |
| CFC050 | D330062800 | BLEACHING COMPARTMENT SHELF | 1 | | 3 |
| CFC060 | D402009400 | DETERGENT SUPPLY PIPE COUPLING | 1 | | 10 |
| CFC070 | D414013400 | SUPPLY PIPE | 1 | | 3 |

| Code Esp. | N.Ref. | Item Description | Quantity Of Pieces | Expiry Date | Unit Price |
|-----------|------------|--|-----------------------|----------------|---------------|
| CFC090 | D444001800 | DRAWER SPRING | 1 | | 3 |
| CFC120 | D432016900 | SCREW FOR DETERGENT COMPARTMENT COVER | 1 | | 1 |
| CFC140 | D440000600 | HOSE CLAMP FOR DETERGENT LOADING BELLOWS | 1 | | 2 |
| CFC150 | D432008800 | SCREW FOR DETERGENT COMPARTMENT | 4 | | 1 |
| CFC170 | D398104700 | DISPENSER | 1 | | 3 |
| CFC180 | D499015000 | DISPENSER OPERATING LEVER | 1 | | 1 |
| CFC200 | D442005800 | DISPENSER ROD | 1 | | 2 |
| CFC210 | D499001500 | RETURN LEVER | 1 | | 3 |
| CFC220 | D398159000 | RETURN LEVER STOP | 1 | | 2 |
| CFC230 | D444000700 | SPRING FOR DISPENSER ROD | 1 | | 2 |
| CFC240 | D432018600 | SCREW FOR RETURN-LEVER STOP | 3 | | 1 |
| CFC370 | D407005400 | PIPE PROTECTION SPONGE | 2 | | 1 |
| CFD020 | D520007200 | PRESSURE CUT-OFF SWITCH | 1 | | 10 |
| CFD030 | D532001300 | CONDENSER | 1 | | 31 |
| CFD040 | D408003900 | WATER SUPPLY HOSE | 1 | | 10 |
| CFD050 | D402009100 | SUPPLY PIPE GASKET | 1 | | 2 |
| CFD070 | D398025800 | CABLE CLAMP | 1 | | 4 |
| CFD100 | D508017000 | SUPPLY CABLE | 1 | | 10 |
| CFD200 | D440000200 | ELECTROVALVE CLAMP E | 2 | | 2 |
| CFD210 | D432004600 | PRESSURE CUT-OFF SWITCH-BRACKET SCREW | 1 | | 1 |
| CFD210 | D432016800 | PRESSURE CUT-OFF SWITCH-BRACKET SCREW | 1 | | 1 |
| CFD220 | D430015500 | SCREW FOR ELECTROVALVE | 2 | | 1 |
| CFD240 | D532004300 | ANTIDISTURBANCE FILTER | 1 | | 10 |
| CFD260 | D432003700 | CABLE CLAMP SCREW | 1 | | 1 |
| CFD430 | D534005200 | DOUBLE ELECTROVALVE | 1 | | 10 |
| CFE001 | D398094900 | DISC FOR DOOR PROTECTION | 1 | | 7 |
| CFE010 | D441006200 | RING CLAMP WITH SCREW FOR DOOR GASKET | 1 | | 5 |
| CFE020 | D404001200 | DOOR GASKET | 1 | | 26 |
| CFE030 | D441019600 | SAFETY RING FOR DOOR GASKET | 1 | | 2 |
| CFE040 | D493001600 | DOOR GLASS | 1 | | 26 |
| CFE050 | D338000105 | OUTER DOOR FRAME | 1 | | 20 |
| CFE060 | D530001500 | MICROSWITCH OR DOOR BLOCK | 1 | | 12 |
| CFE080 | D324003642 | DOOR HANDLE | 1 | | 3 |
| CFE090 | D719007503 | DOOR HANDLE UNIT | 1 | | 10 |
| CFE100 | D432003400 | SCREW FOR DOOR GLASS INSERT | 6 | | 1 |
| CFE110 | D266006300 | DOOR GLASS INSERT | 6 | | 2 |
| CFE120 | D432026700 | SCREW FOR DOOR HINGE | 3 | 01.04.2005 | 1 |
| CFE120 | D432034000 | SCREW FOR DOOR HINGE | 3 | | 1 |
| CFE150 | D432025700 | DOOR CATCHRETURN SPRING SCREW | 2 | | 1 |
| CFE160 | D444008500 | DOOR CATCH RETURN SPRING | 1 | | 2 |
| CFE190 | D432009400 | SCREW FOR DOOR CATCH PLATE | 2 | | 1 |
| CFE200 | D443012200 | DOOR HANDLE PIN | 1 | | 1 |
| CFE210 | D398178900 | DOOR HANDLE CATCH | 1 | | 2 |
| CFE230 | D444016200 | SAFETY SPRING FOR DOOR HANDLE | 1 | | 2 |
| CFE250 | D344002100 | DOOR SUBFRAME | 1 | | 12 |
| CFF004 | D440003200 | NON-OVERFLOW COUPLING TUBE CLAMPS | 1 | | 2 |
| CFF005 | D432004600 | NON-OVERFLOW HOSE FIXING SCREWS | 1 | | 1 |
| CFF006 | D402013700 | COUPLING TUBE NON-OVERFLOW-FILTER CASING | 1 | | 5 |
| CFF007 | D356002600 | NON-OVERFLOW HOSE | 1 | | 10 |
| CFF008 | D440000400 | COUPLING FILTER CASING CLAMPS | 1 | | 2 |
| CFF010 | D518004400 | ELECTROPUMP | 1 | 08.03.2005 | 20 |
| CFF010 | D518004401 | ELECTROPUMP | 1 | | 27 |
| CFF020 | D398243900 | FILTER BODY | 1 | | 10 |
| CFF030 | D398019200 | FILTER DRAWER | 1 | | 7 |
| CFF040 | D402004100 | FILTER GASKET | 1 | | 2 |
| CFF050 | D441018400 | FILTER RING | 1 | | 2 |
| CFF060 | D350003500 | FILTER CAP | 1 | | 3 |
| CFF070 | D402038600 | DRAIN OUTLET BEND | 1 | | 10 |
| CFF080 | D398013000 | FILTER-PUMP CONNECTION | 1 | | 4 |
| CFF090 | D414004300 | DRAIN PIPE | 1 | | 12 |
| CFF100 | D440000500 | HOSE CLAMP CONNECTION FOR FILTER-PUMP | 2 | | 2 |

| Code Esp. | N.Ref. | Item Description | Quantity Of Pieces | Expiry Date | Unit Price |
|-----------|------------|-------------------------------------|-----------------------|----------------|---------------|
| CFF110 | D440001700 | HOSE CLAMP FOR DRAIN OUTLET BEND | 1 | | 2 |
| CFF120 | D432008700 | FILTER BODY SCREW | 2 | | 1 |
| CFF130 | D432009800 | ELECTROPUMP SCREW | 2 | | 1 |
| CFF140 | D398019400 | U BOLT FOR DRAIN PIPE BEND | 1 | | 5 |
| CFF150 | D440000400 | DRAIN PIPE HOSE CLAMP | 1 | | 2 |
| CFF190 | D414013900 | PRESSURE SWITCH PIPE | 1 | | 2 |
| CFF190 | D720334800 | PRESSURE SWITCH PIPE | 1 | | 2 |
| CFG001 | D441028500 | MOTOR FIXING SPLIT PIN | 1 | | 2 |
| CFG002 | D443013200 | MOTOR FIXING PIN | 1 | | 4 |
| CFG005 | D526011900 | THERMO-RESISTANCE | 1 | | 10 |
| CFG010 | D258002100 | SPRING HOOK CROSSPIECE | 1 | | 7 |
| CFG020 | D490000700 | UPPER COUNTERWEIGHT | 1 | 09.01.2006 | 7 |
| CFG020 | D490011600 | UPPER COUNTERWEIGHT | 1 | | 7 |
| CFG030 | D726011400 | TUB | 1 | | 63 |
| CFG037 | D432016700 | MOTOR PIN FIXING SCREW | 1 | | 1 |
| CFG039 | D398101400 | DRUM PADDLE | 4 | | 7 |
| CFG060 | D402004300 | TUB GASKET | 1 | | 10 |
| CFG070 | D441016900 | LOCKING-RING FOR TUB | 1 | | 12 |
| CFG080 | D490005600 | BOTTON COUNTERWEIGHT | 1 | | 12 |
| CFG090 | D236012300 | DRUM FLANGE | 1 | | 50 |
| CFG100 | D499004900 | FRICTION PADS | 4 | | 4 |
| CFG110 | D444000600 | DAMPER SPRING | 2 | | 7 |
| CFG120 | D441009700 | DAMPER BUSH | 2 | | 2 |
| CFG130 | D512022800 | MOTOR | 1 | | 117 |
| CFG140 | D524018600 | HEATING ELEMENT | 1 | | 10 |
| CFG160 | D268006700 | PULLEY PIPING | 1 | | 13 |
| CFG170 | D416002300 | BELT | 1 | | 20 |
| CFG200 | D444017600 | SUSPENSION SPRING FOR TUB | 1 | | 3 |
| CFG200 | D444018700 | SUSPENSION SPRING FOR TUB | 1 | | 3 |
| CFG210 | D434000300 | PULLEY NUT | 1 | | 1 |
| CFG220 | D446000200 | BEARING | 1 | | 10 |
| CFG230 | D446000300 | BEARING | 1 | | 12 |
| CFG240 | D441017500 | SEALING RING | 1 | | 5 |
| CFG290 | D434002100 | NUT COUNTERWEIGHT | 5 | | 1 |
| CFG300 | D436008500 | COUNTERWEIGHT WASHER | 5 | | 1 |
| CFG300 | D436013600 | COUNTERWEIGHT WASHER | 5 | 10.05.2005 | 1 |
| CFG310 | D398105200 | BOSS COUNTERWEIGHT | 3 | | 1 |
| CFG320 | D430007100 | SCREW FOR UPPER COUNTERWEIGHT | 1 | | 1 |
| CFG320 | D430007600 | SCREW FOR UPPER COUNTERWEIGHT | 1 | | 1 |
| CFG340 | D434002100 | TUB RING NUT | 1 | | 1 |
| CFG350 | D436000500 | TUB RING WASHER | 1 | | 1 |
| CFG360 | D430025600 | TUB LOCKING-RING SCREW | 1 | | 1 |
| CFG380 | D430014000 | MOTOR SCREW | 1 | | 1 |
| CFG400 | D441022600 | MOTOR BUSH | 3 | 01.04.2005 | 2 |
| CFG400 | D441031400 | MOTOR BUSH | 3 | | 2 |
| CFG410 | D434002100 | MOTOR NUT | 1 | | 1 |
| CFG430 | D499003600 | SPRING FIXING RING | 2 | | 3 |
| CFG440 | D432004600 | SPRING CROSS PIECE SCREW | 4 | | 1 |
| CFG450 | D430018800 | LOWER COUNTERWEIGHT SCREW | 3 | | 1 |
| CFG460 | D268003500 | DAMPER CONNECTING PLATE | 2 | | 3 |
| CFG480 | D716008900 | TUB COVER | 1 | | 53 |
| CFG530 | D720386700 | FLANGE + BASKET UNIT | 1 | | 90 |
| CFG540 | D428012500 | MOTOR FIXING SPACER | 1 | | 1 |
| CFG550 | D718009600 | BOTTOM UNIT AND BEARING | 1 | | 66 |
| CFG560 | D526001300 | FIXED THERMOSTAT | 1 | | 10 |
| CFG580 | D436001300 | PULLEY WASHER | 1 | | 1 |
| CFG590 | D266005900 | COUNTERWEIGHT SUPPORT PLATE | 2 | | 3 |
| CFG600 | D402006400 | COUNTERWEIGHT BOLT FIXING GASKET | 2 | | 2 |
| CFG670 | D720023700 | COMPLETE BEARINGS SET | 1 | | 14 |
| CFG730 | D720145600 | LOCKING-RING ASSEMBLY | 1 | | 10 |
| CFH002 | D444011800 | SMALL TUMBLER SPRING FOR THERMOSTAT | 1 | | 1 |

| Code Esp. | N.Ref. | Item Description | Quantity Of Pieces | Expiry Date | Unit Price |
|-----------|------------|--|-----------------------|----------------|---------------|
| CFH003 | D432009400 | SCREW FOR FIXING SCROLL TO FAN MOTOR BRA | 3 | | 1 |
| CFH004 | D434006300 | FAN MOTOR FIXING NUT | 2 | | 1 |
| CFH020 | D430013600 | HEATING ELEMENT FIXATION SCREW | 1 | | 1 |
| CFH030 | D398244000 | PLASTIC AIR CONVEYOR | 1 | | 1 |
| CFH040 | D402046800 | RUBBER SLEEVE FOR AIR PIPE | 1 | 01.01.2005 | 7 |
| CFH040 | D402046800 | RUBBER SLEEVE FOR AIR PIPE | 1 | | 7 |
| CFH056 | D398244100 | AIR EVACUATION DUCT | 1 | | 1 |
| CFH060 | D432015900 | STEAM CONDENSER FIXING SCREW | 4 | | 1 |
| CFH062 | D432003400 | AIR EVACUATION DUCT FIXING SCREW | 3 | | 1 |
| CFH080 | D526029800 | SAFETY THERMOSTAT | 1 | | 10 |
| CFH100 | D368016500 | TOP ALUMINIUM AIR CONVEYOR | 1 | | 31 |
| CFH120 | D524009600 | BOTTOM DRYER HEATING ELEMENT | 1 | | 10 |
| CFH130 | D368016600 | BOTTOM ALUMINIUM AIR CONVEYOR | 1 | | 26 |
| CFH140 | D179001900 | THERMIC CONVEYOR INSULATION | 1 | | 6 |
| CFH150 | D444020700 | CONVEYOR SPRING SEAL | 1 | | 2 |
| CFH160 | D402003400 | RUBBER CONVEYOR | 1 | | 10 |
| CFH200 | D268010200 | WASHER-DRYER FAN | 1 | | 13 |
| CFH210 | D436001000 | ARCHIMEDEAN SCREW SUPPORT WASHER | 2 | | 1 |
| CFH220 | D526029700 | WORKING THERMOSTAT | 1 | | 13 |
| CFH230 | D402007800 | ARCHIMEDEAN SCREW AND SHAFT GASKET | 1 | | 2 |
| CFH240 | D402017000 | FAN ARCHIMEDEAN SCREW GASKET | 1 | | 2 |
| CFH250 | D398095500 | FAN ARCHIMEDEAN SCREW | 1 | | 7 |
| CFH260 | D432011500 | SCREWS FOR FIXING SUPPORT TO TUB | 2 | | 1 |
| CFH280 | D260002800 | ARCHIMEDEAN SCREW MOTOR SUPPORT | 1 | | 4 |
| CFH290 | D512012401 | FAN MOTOR | 1 | | 20 |
| CFH300 | D432006400 | BOTTOM CONVEYOR TUB FIXING SCREWS | 3 | | 1 |
| CFH300 | D432006600 | BOTTOM CONVEYOR TUB FIXING SCREWS | 1 | | 1 |
| CFH320 | D720174500 | HEATING ELEMENT BOX UNIT | 1 | | 53 |
| CFH330 | D444002400 | AIR PIPE SLEEVE SPRING | 1 | | 5 |
| CFH350 | D444010600 | THERMOSTAT FIXING SPRING | 1 | | 4 |
| CFH360 | D432004600 | THERMOSTAT SCREW | 3 | | 1 |
| CFH370 | D526011300 | THERMOSTAT | 1 | | 7 |
| CFH70 | D432026500 | TORNILLO AUTOENR. TCB D=3,9 H=16 CROSS Z | 1 | | 1 |
| CFZ010 | D432027500 | PACKING SCREWS | 4 | | 1 |
| CFZ030 | D470006200 | RUBBER PACKING CAP | 4 | | 2 |
| CFZ040 | D470004600 | PLASTIC PACKING SPACER | 4 | | 3 |
| CFZ280 | D470016000 | BOTTOM SHELL FOR PACKAGING | 1 | | 12 |
| CFZ290 | D470016100 | TOP SHELL FOR PACKAGING | 1 | | 10 |
| CFZ300 | D476011100 | FRONT RIGHT-LEFT ANGLE | 2 | | 3 |
| CFZ300 | D476026100 | FRONT RIGHT-LEFT ANGLE | 2 | | 3 |